

Hi-Hog Farm & Ranch Equipment Ltd.



Questions


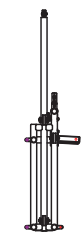

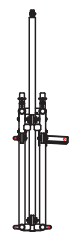



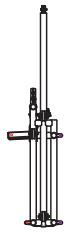

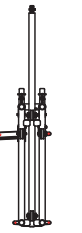
Call toll free 1-800-661-7002
 (Mon-Fri 8:00 am to 4:30 pm MST)
www.hi-hog.com

U-Alley Installation Instructions

NOTE:

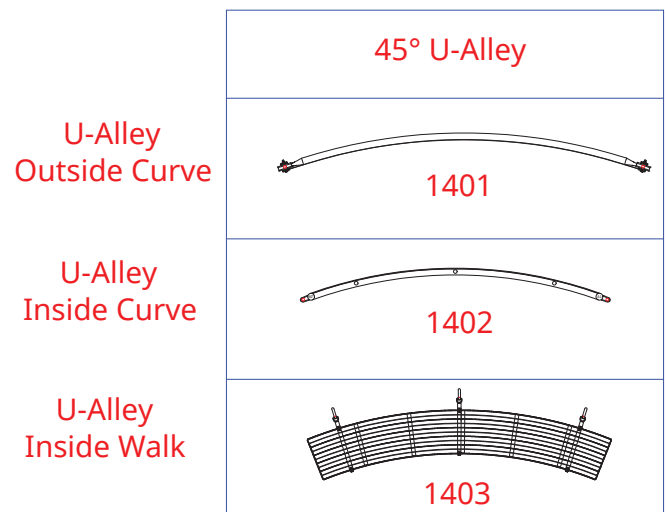
The U-Alley you are installing may not be exactly the same as the sample U-Alley used in this instruction guide. This is because Hi-Hog offers a variety of U-Alley options that may impact the exact layout of your U-Alley.

For example, Hi-Hog offers both *plain U-Alley spreaders* as well as *U-Alley spreaders with Rolling Doors*. You may also have an alley with 1, 2, 3 or 4 alley sections.

	Plain Spreader	Spreader with Rolling Door	U-to-S Alley Spreader	U-to-S Alley Spreader with Rolling Door
U-Alley Right Hand End Spreader Options	 1420	 1427	 1425	 1426
U-Alley Interior Spreader Options	 1410	 1416		
U-Alley Left Hand End Spreader Options	 1430	 1437	 1435	 1436

Note: for alleys where you wish to transition from a U-Alley to an adjustable S-Alley or straight alley you will need to use different end spreaders. For U-to-S Alleys, substitute item 1425 for the 1420, substitute item 1426 for the 1427, Substitute item 1435 for the 1430, and item 1436 for the 1437.

Regardless of the design of your U-Alley, you will follow the same basic steps to install your U-Alley. The drawing below shows the optional U-Alley components you may require.



U-Alley Installation

Site Preparation

As with all livestock working alleys, your alley should be installed on a surface that provides secure footing for both livestock and livestock handlers.

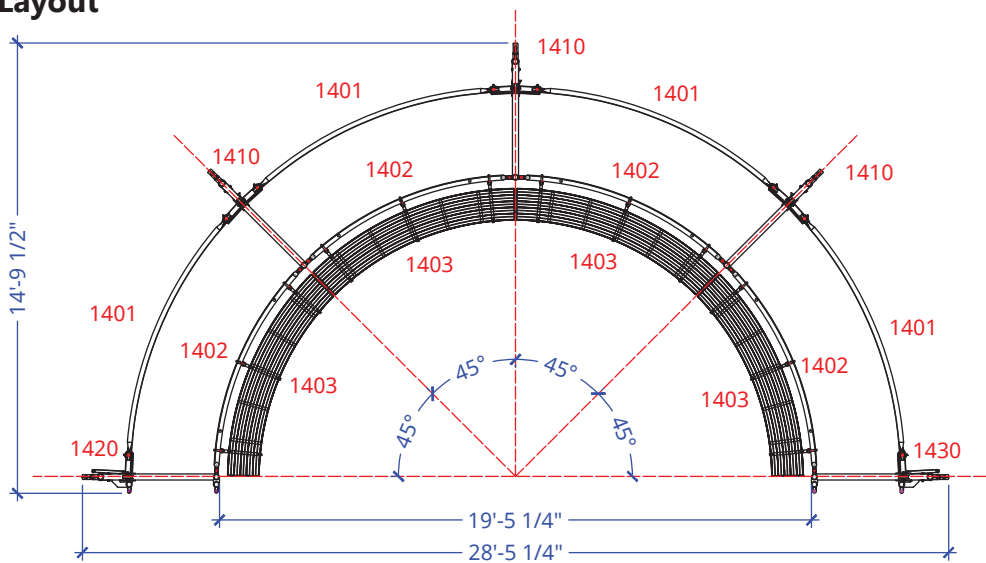
Secure footing options include:

- Pouring a concrete slab with a high traction finish
- Installing traction mats
- Installing Hi-Hog's [Paddock Slabs](#)

Select the best location to minimize the risk of developing poor footing. Poor footing, such as mud, will cause your livestock to move more cautiously, and be at a greater risk of injury.

Your site should be graded to provide a level and flat surface. The U-alley adjusts in two directions. As the width of the alley becomes wider, the length of the outside alley must also get longer. To accommodate this dual action the U-Alley should be installed on a flat, level surface.

Layout



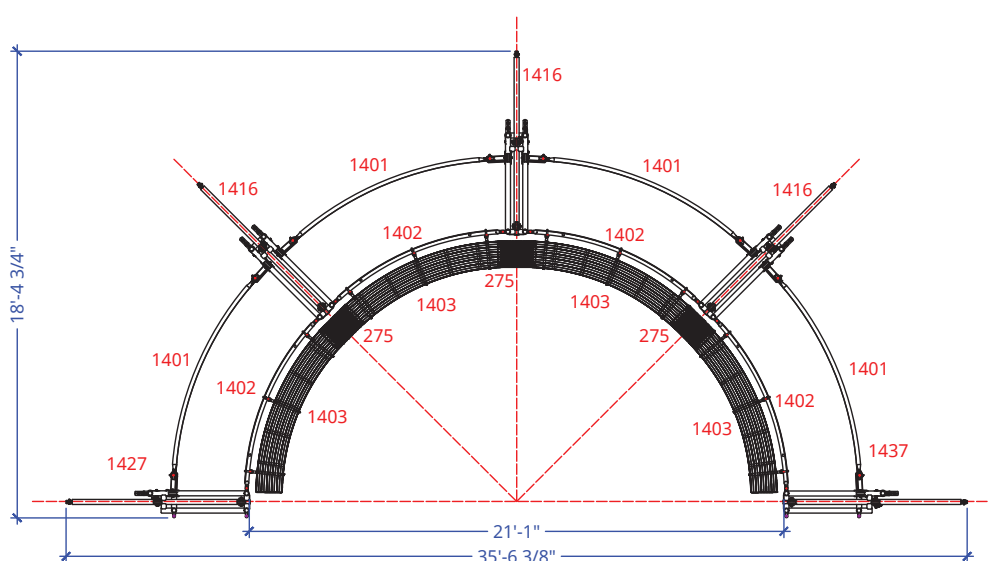
The inside diameter of your U-Alley will vary depending on your selection of U-Alley spreaders.

For the standard U-Alley with no interior rolling doors, the inside diameter of your alley will be 19'-5.25" (9'-8 5/8" Radius).

For a U-Alley with rolling doors in all of the U-Alley spreaders the inside diameter of your alley will expand to 21'-1" (10'-6 1/2")

If your U-Alley is not like either of these sample alleys please contact Hi-Hog and we can prepare a drawing with your desired plan including dimensions for set-up.

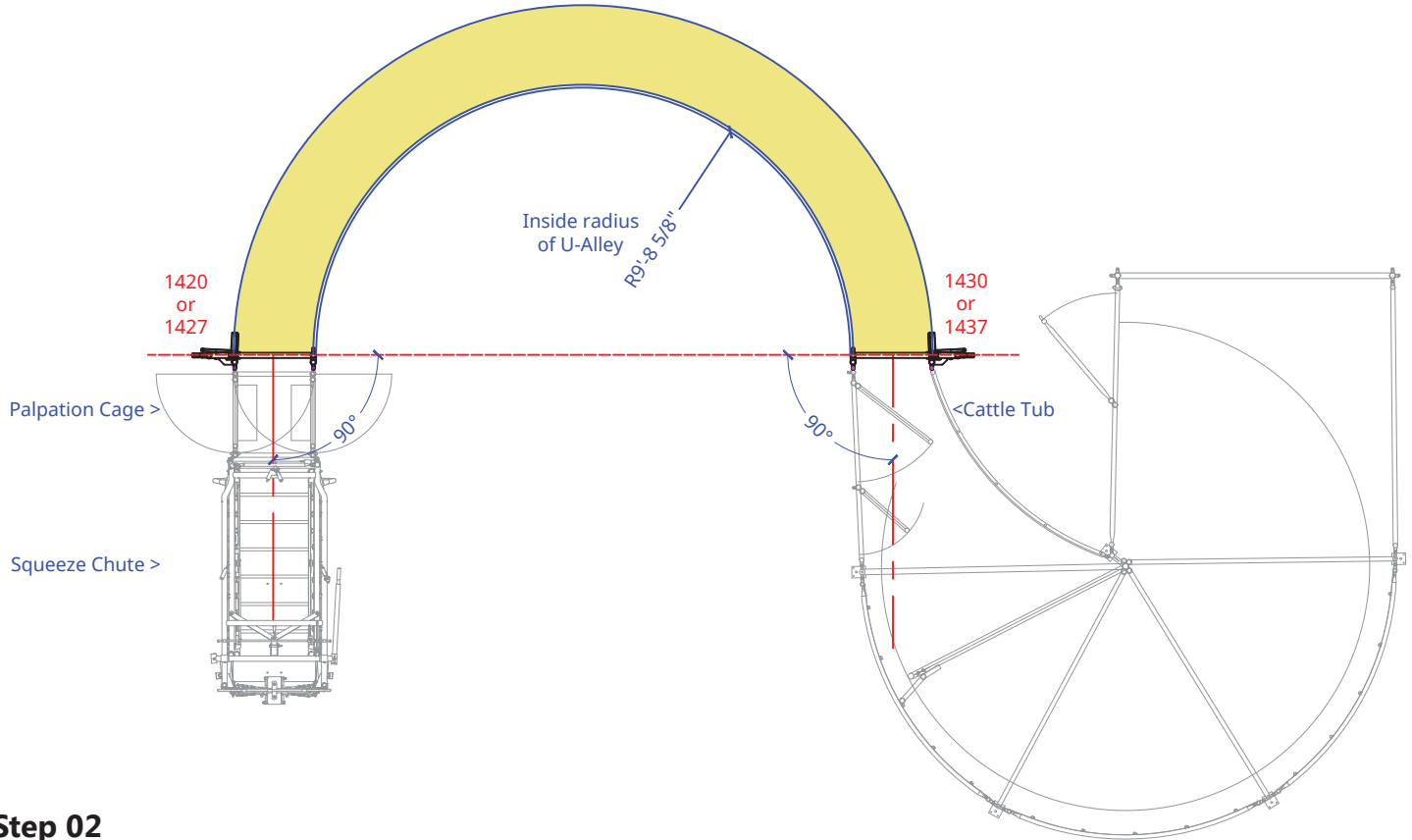
Note, when using a spreader with a rolling door you may require a transition walkway (item 275) to fill the gap between the curved walkways.



Installation Steps

Step 01

Connect the end U-Alley spreader at the fixed end of your U-Alley. The fixed end of your U-Alley will be the location where your U-Alley must align with your existing equipment. This could be either where your palpation cage and squeeze chute are located, or where your cattle tub, or existing alley join with your new U-Alley. (Note: your squeeze and tub configuration may be different from how it is shown below)

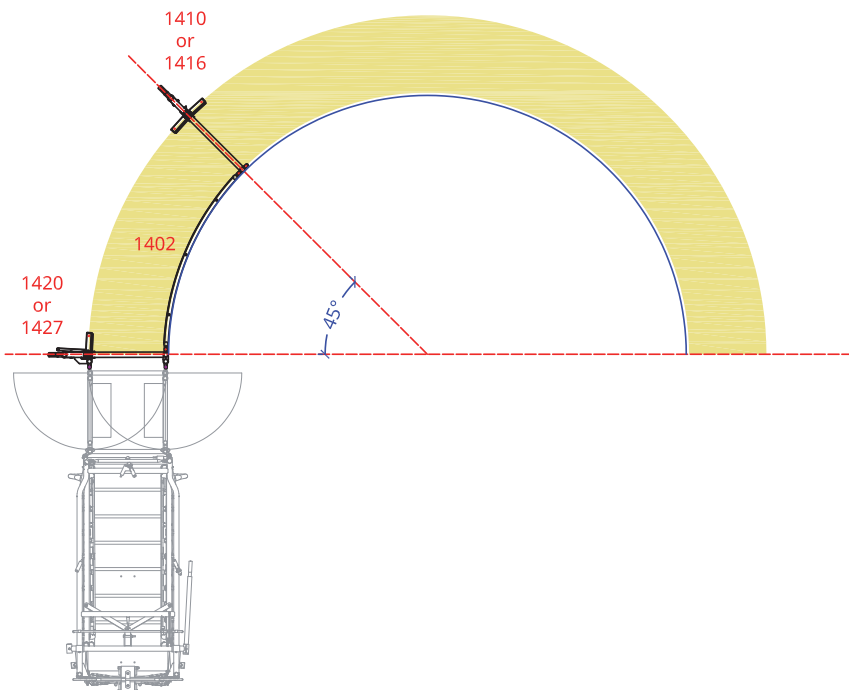


Step 02

Attach the inside curved panel (Item 1402) to the end U-Alley spreader you just installed.

Step 03

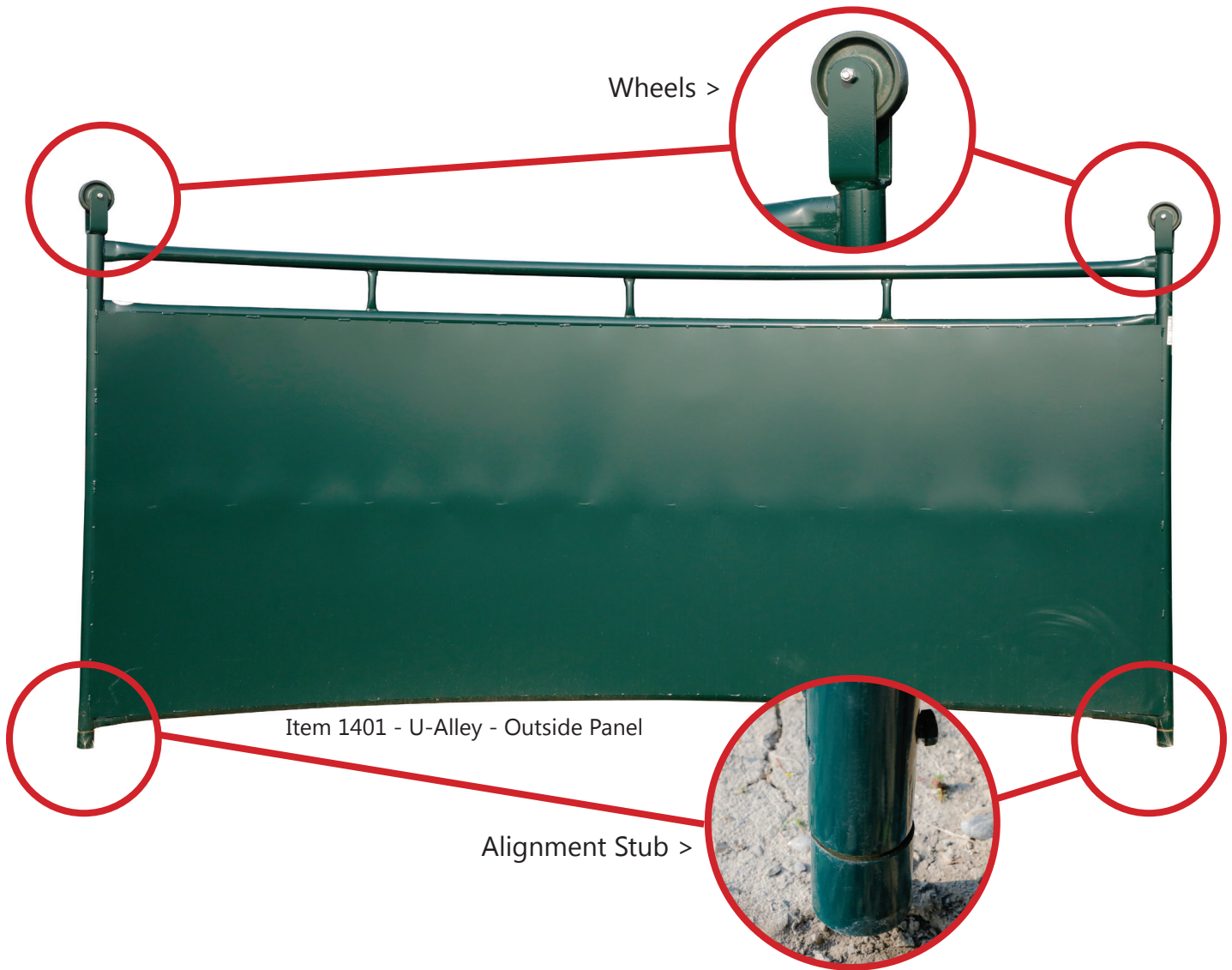
Attach an interior U-Alley spreader (Item 1410) to the other end of the curved panel. In the example shown here the 1410 is set at an angle to provide room to position the 1400 (see next step)

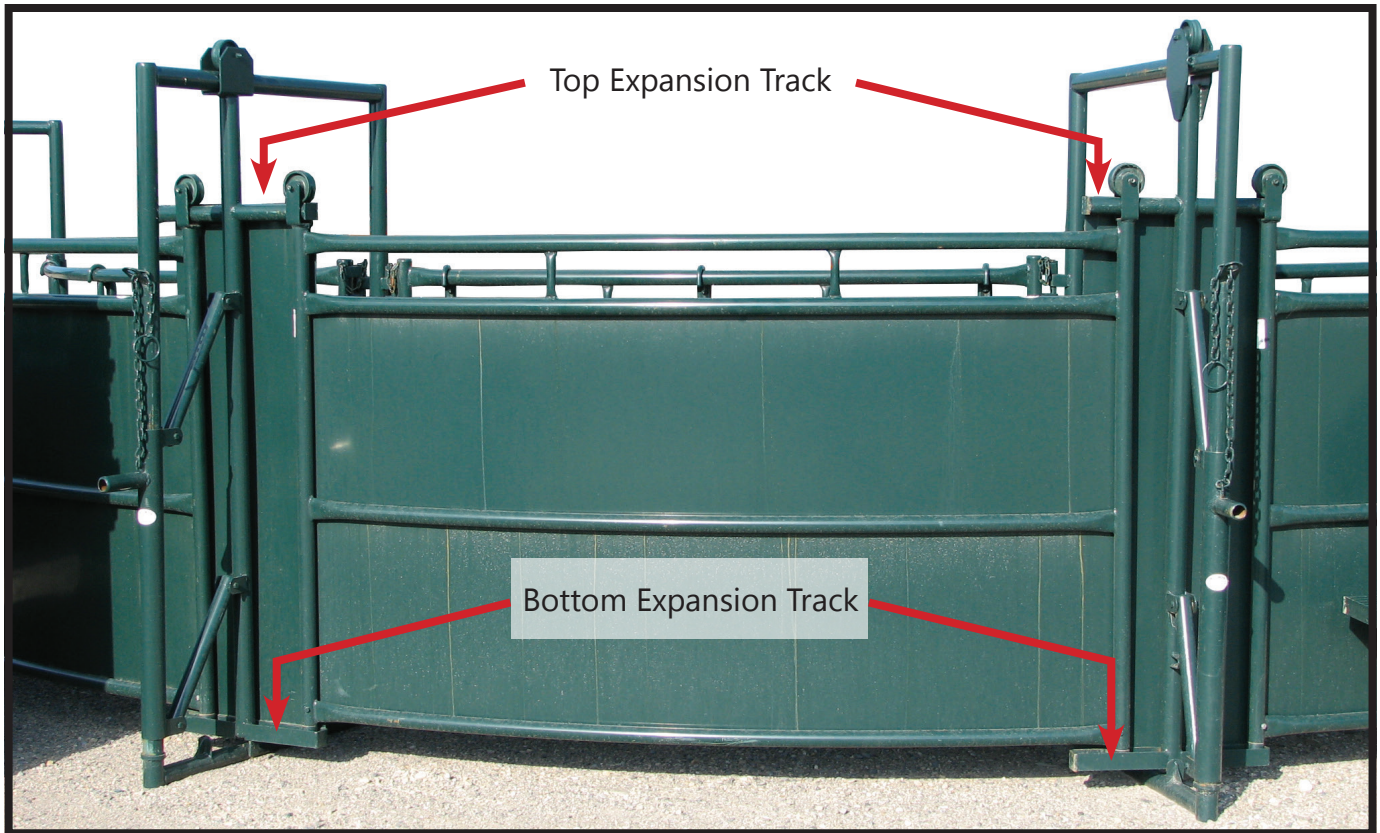


Note: If you are only installing one section of U-Alley, you will use an end spreader instead of an interior spreader. (In this example you would use item 1430 or item 1437)

Step 04

Remove the wheels and alignment stubs from your outside curved panel, Item 1401, as shown in the image below. Note: Keep fasteners as you will need to re-attach the wheels and alignment stubs later.





Step 05

Insert the wheel hanger on Item 1401 through the Top Expansion Track on the starting adjustable U-Alley Spreader.

Step 06

Re-attach wheel assembly

Step 07

Re-install Alignment Stub. Stub should now be located inside the Bottom Expansion Track.

Step 08

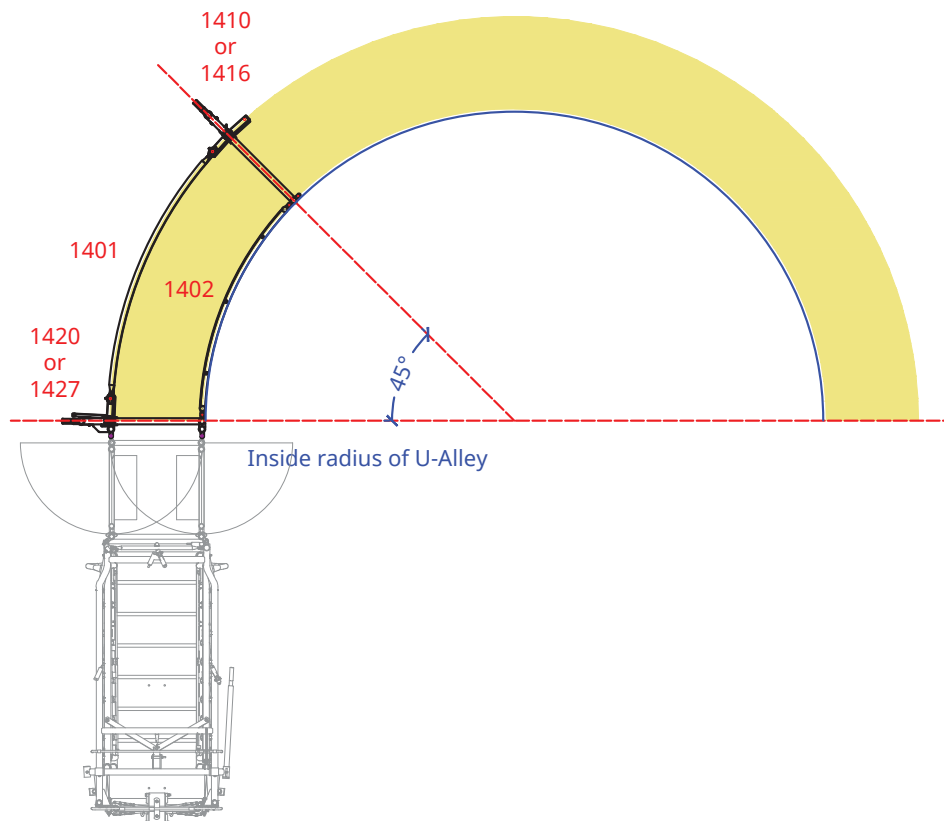
Insert the wheel hanger on Item 1401 through the Top Expansion Track on the interior adjustable U-Alley Spreader (Item 1410 or Item 1416).

Step 09

Re-attach wheel assembly

Step 10

Re-install Alignment Stub. Stub should now be located inside the Bottom Expansion Track.

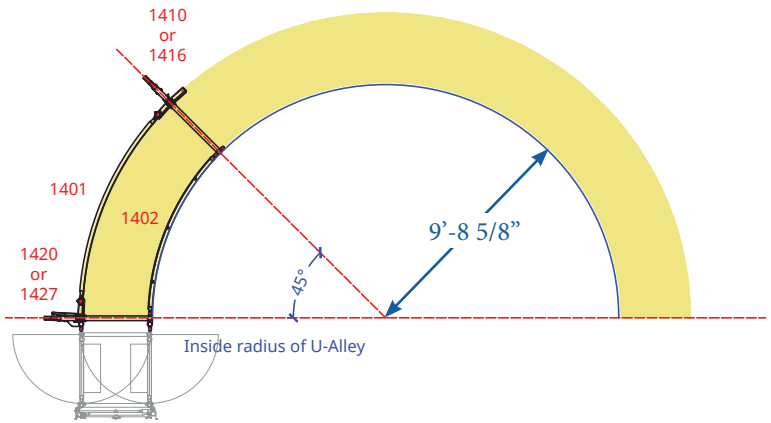


Step 11

Check alignment. The inside edge of both the starting and interior U-Alley spreaders should both be approximately 9'-8 5/8" from the center mark of your U-Alley.

The spreaders should be in line with a line radiating from the center mark (see dashed red line in image >).

Test the operation of both spreaders to ensure the alley adjusts well before moving to the next step.

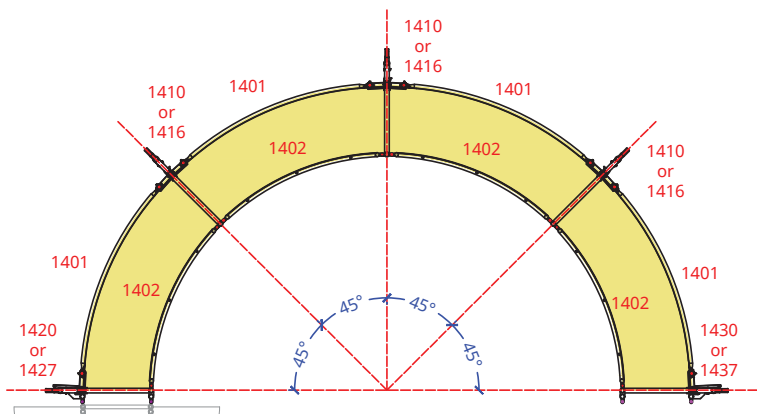
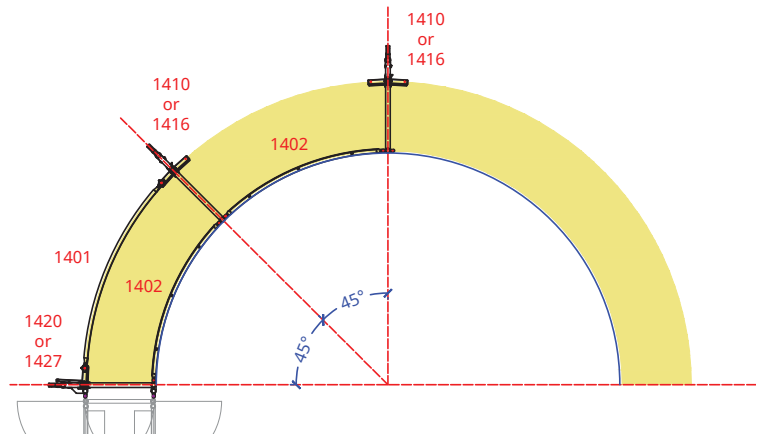


Step 12

Repeat steps 2 to 11 for each section of your U-Alley

Note: the last U-Alley spreader you install will be a U-Alley end spreader. In this example this is item 1430 or 1437

Note: if your U-Alley joins with an adjustable straight alley or adjustable S-Alley, you will need to use one of the U-to-S adjustable alley spreaders to accommodate the transition.



Step 13

Hang optional walkways (Item 1403)

1. Set walkway hangers on top rail of inside U-Alley panel (3 hangers per walkway).
2. Bolt walkway to walkway hangers
3. Repeat for all walkways
4. Bolt walkway ends together.

Note: If you use a spreader with a rolling door, you may require a walkway transition, item 275, to fill the gap.

